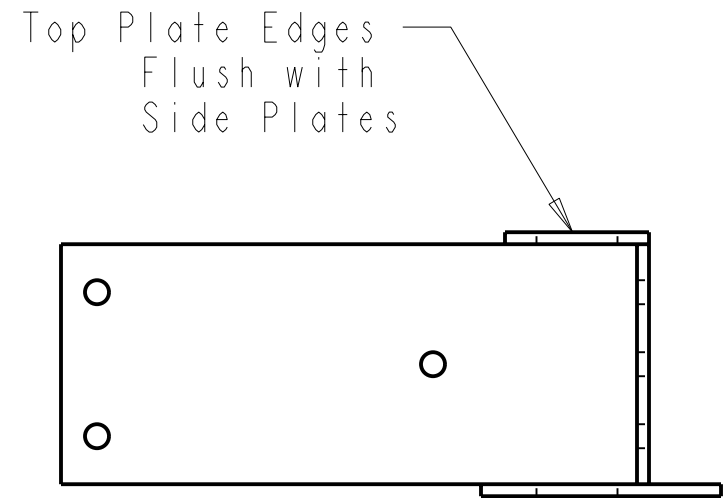


Top View



Side View

All Dimensions Are Inches  
 Unless Otherwise Specified, All  
 Steel Shapes and Plate To Comply With  
 ASTM A36/A36M-05

NCSU BIO & AG  
 ENGINEERING

4 Leg Rack  
 Corner Bracket Assembly  
 w/Dimensions

Dr By: Justin Macialek

Part No. RI

Qty. Required: 4

Date  
 7-11-05

Scale  
 0.250

DR  
 Rib