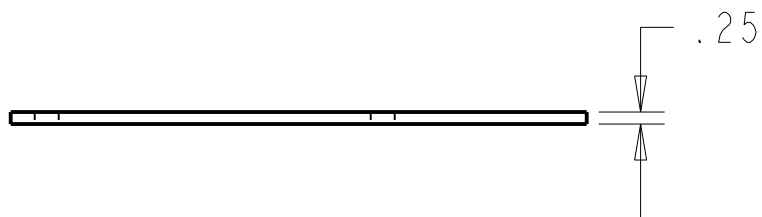
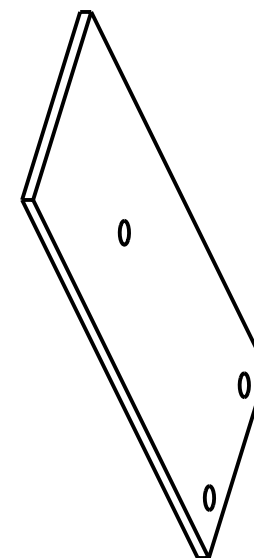
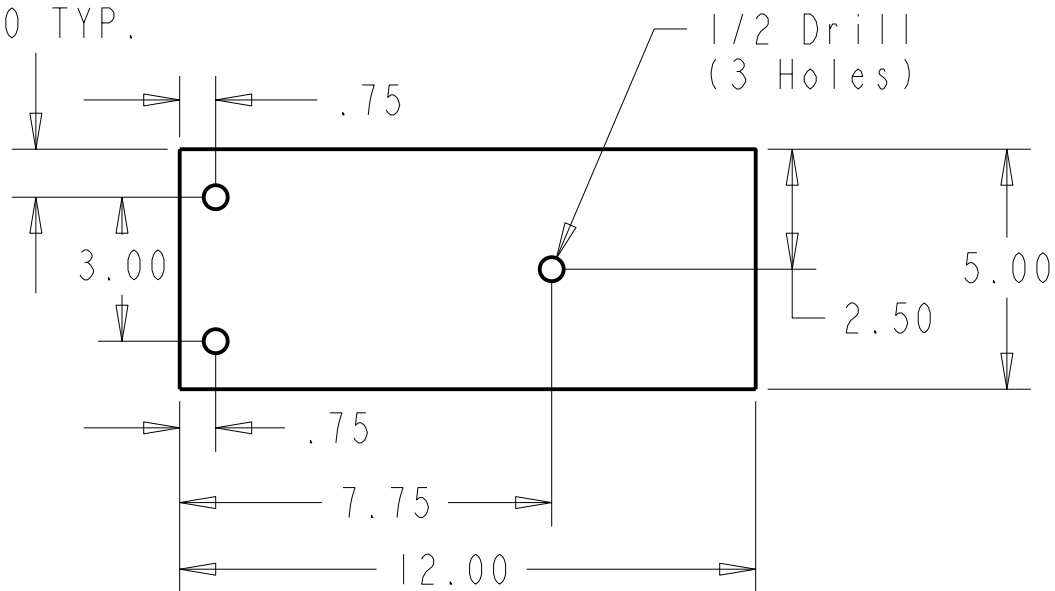


1.00 TYP.



All Dimensions Are Inches  
Unless Otherwise Specified, All  
Steel Shapes and Plate To Comply With  
ASTM A36/A36M-05

NCSU BIO & AG  
ENGINEERING

4 Leg Rack  
Corner Bracket  
Side Plates

Dr By: Justin Macialek

Part No. R6

Qty. Required: 8

Date  
7-11-05

Scale  
0.250

DR  
R6